

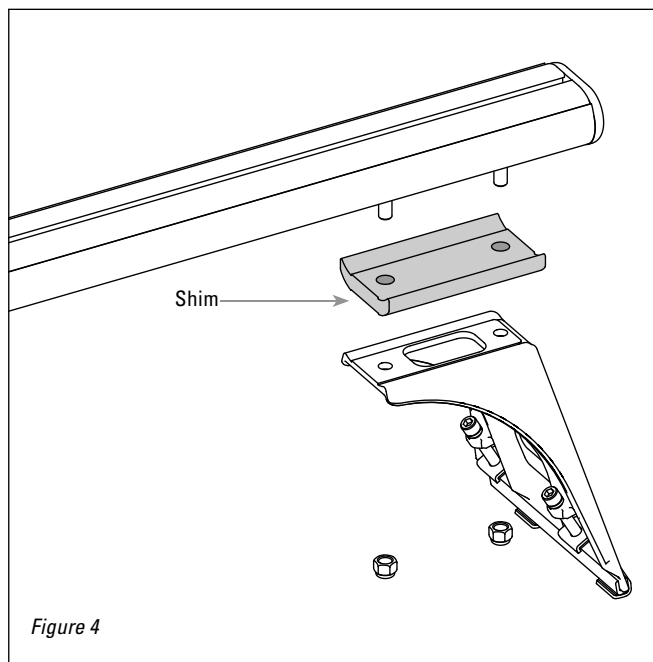


SHIM INSTALLATION

Supplied as part of SKU 29056, TracVan Triple

The gutters on some Vans are curved, which makes installing three level crossbars a special challenge. To compensate for this curvature, you'll install our shims in the front and rear crossbar assemblies, raising them to the height of the middle rack.

1. Verify that you have received four Van Rack Shims.
2. Install the middle (third) crossbar assembly roughly in center of van roof per Van Rack Installation Instructions.
3. Loosely assemble the front and rear crossbar assemblies, placing the shims between the corner brackets and the crossbar (*Fig. 4*).
4. Install the front crossbar assembly in desired location near front of van roof, and tighten all fasteners in accordance with Van Rack Installation Instructions.
5. Position the rear crossbar assembly on rear of van roof, engaging lower edge of corner brackets in rain gutters.
6. Place a straight-edge (a ladder or straight piece of lumber will do) atop crossbars (*Fig. 5*) to check that the racks are all in line. As necessary, slide the rear crossbar assembly to the front or rear until the straight-edge rests flatly and evenly on all three crossbars. Complete installation to rear crossbar assembly in accordance with Van Rack Installation Instructions.
7. Check all fasteners for proper torque.



Caution: Recheck the bolt torques every 500 miles.

With prolonged driving, vibrations may cause the fasteners to loosen.

Capacity: The van rack is rated for a capacity of 500 lbs., evenly distributed, assuming normal driving conditions and loading. Please secure loads carefully, and exercise caution at all times!

