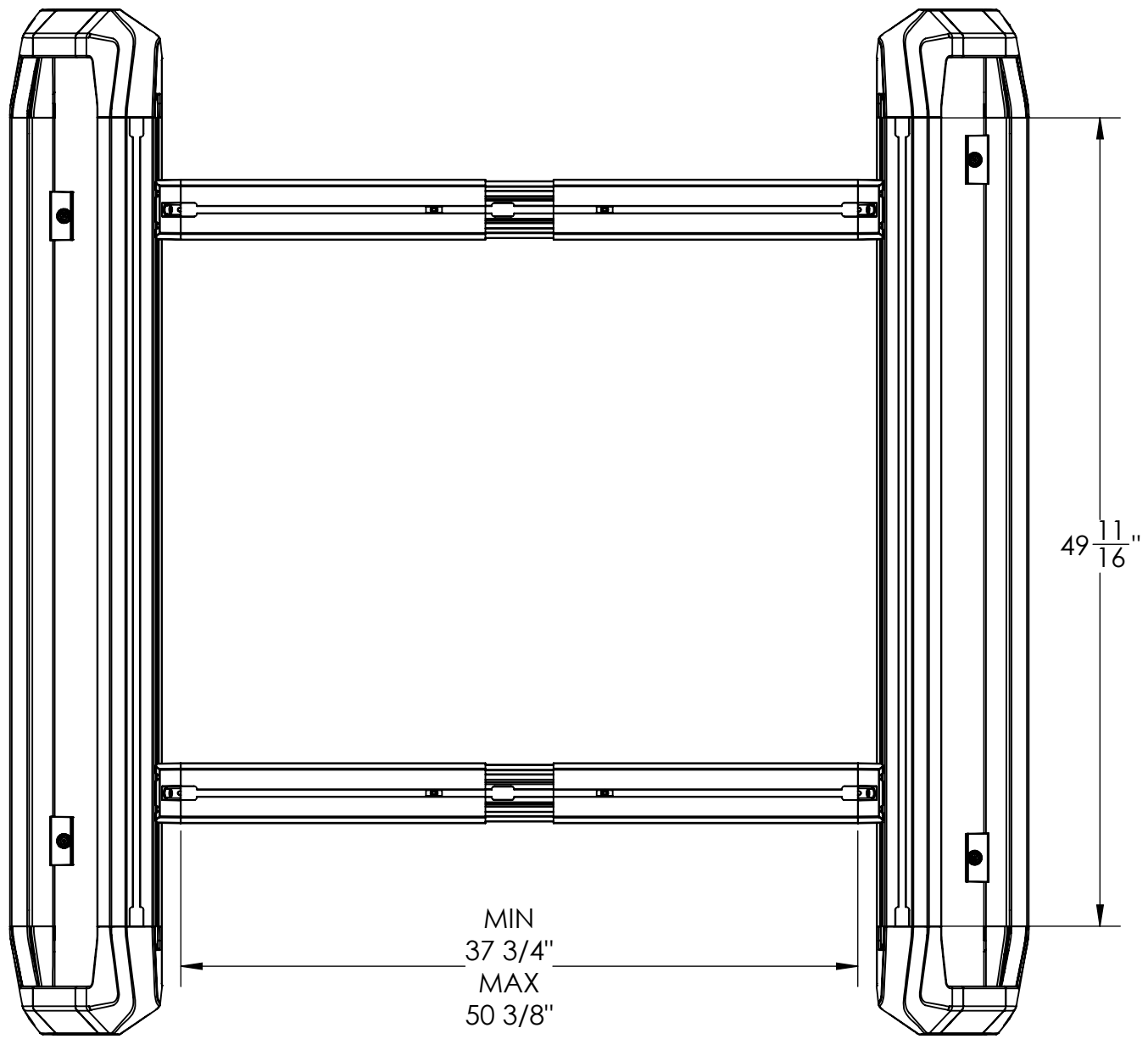
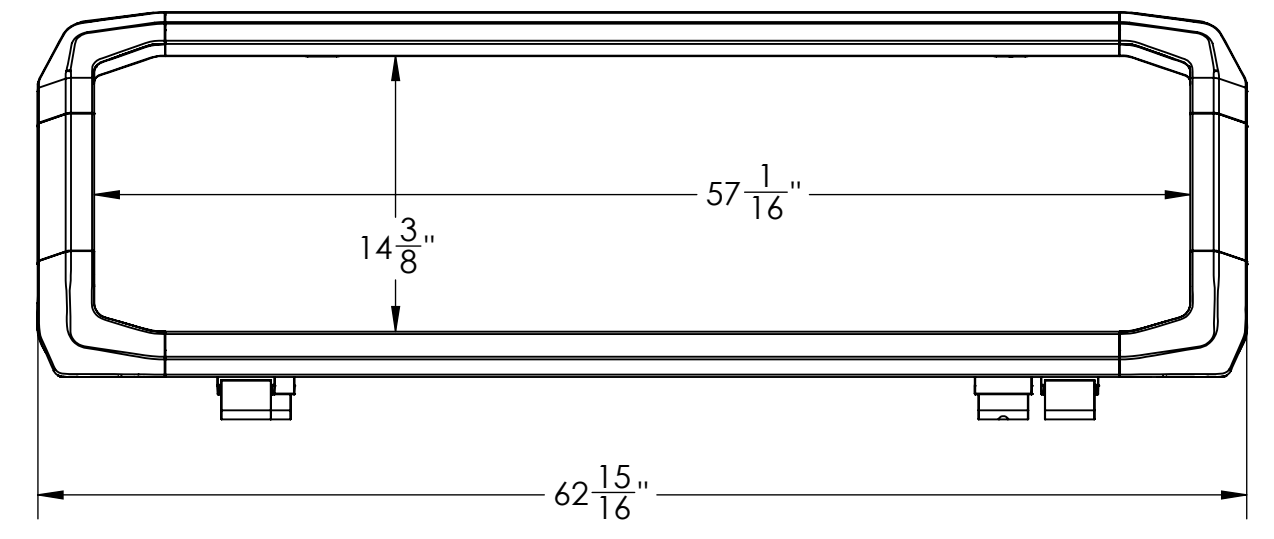
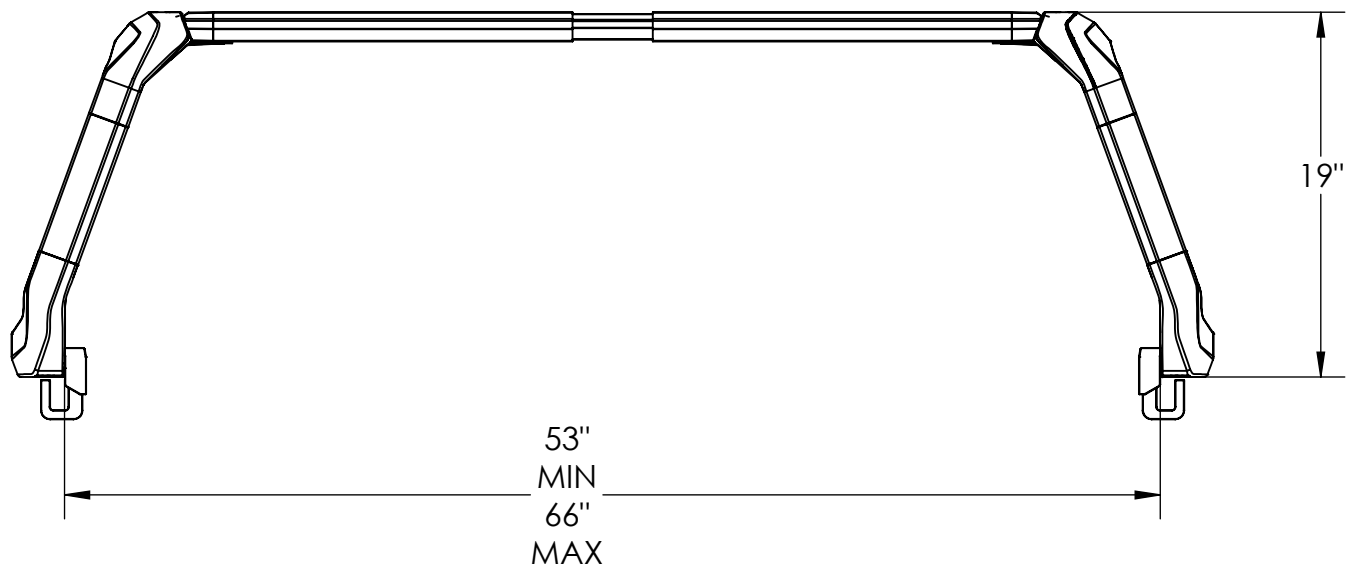
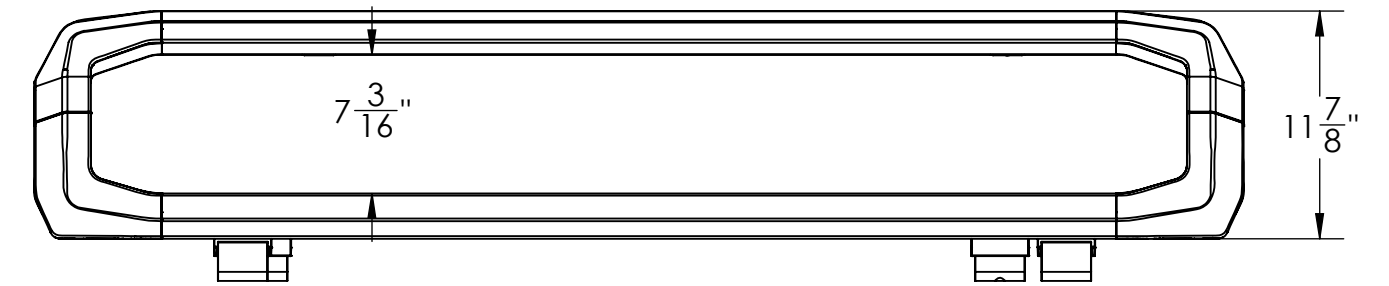
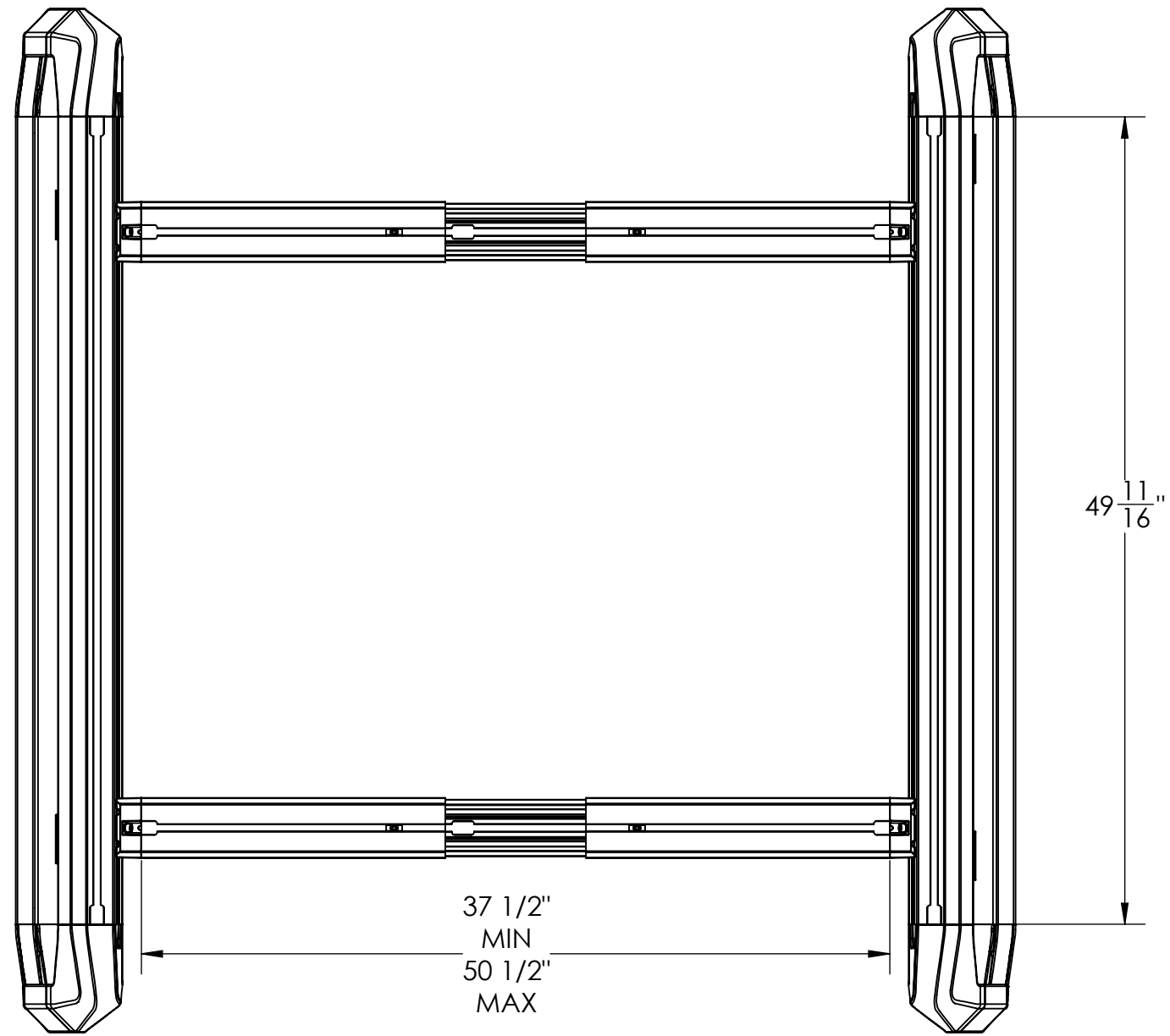


IBEXA1
MID SIZE TRUCK - SHORT BED



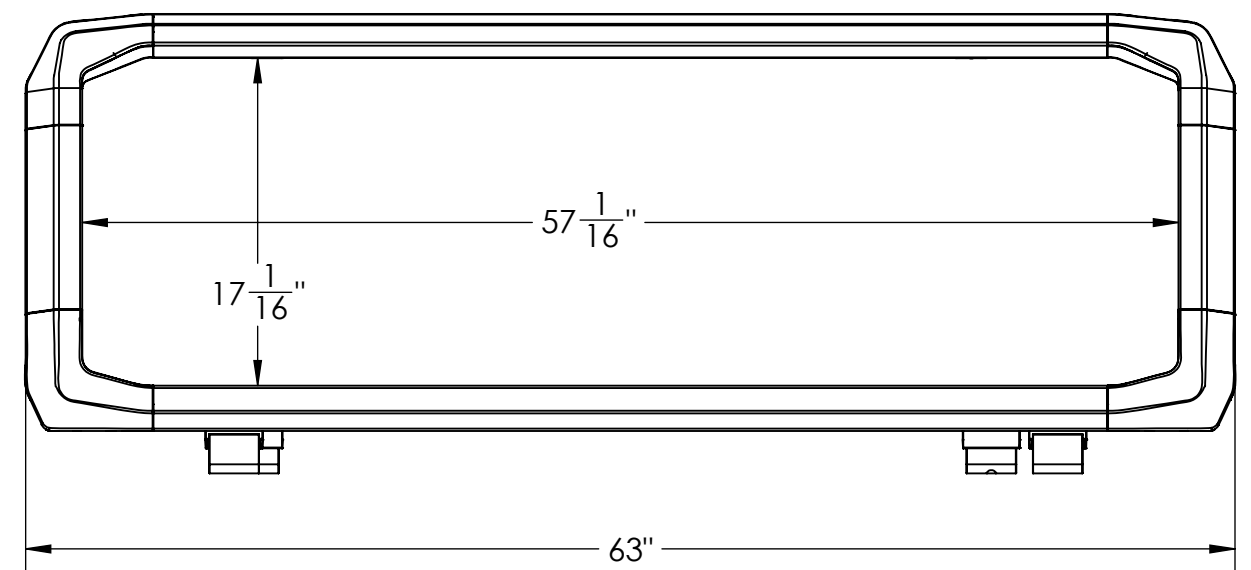
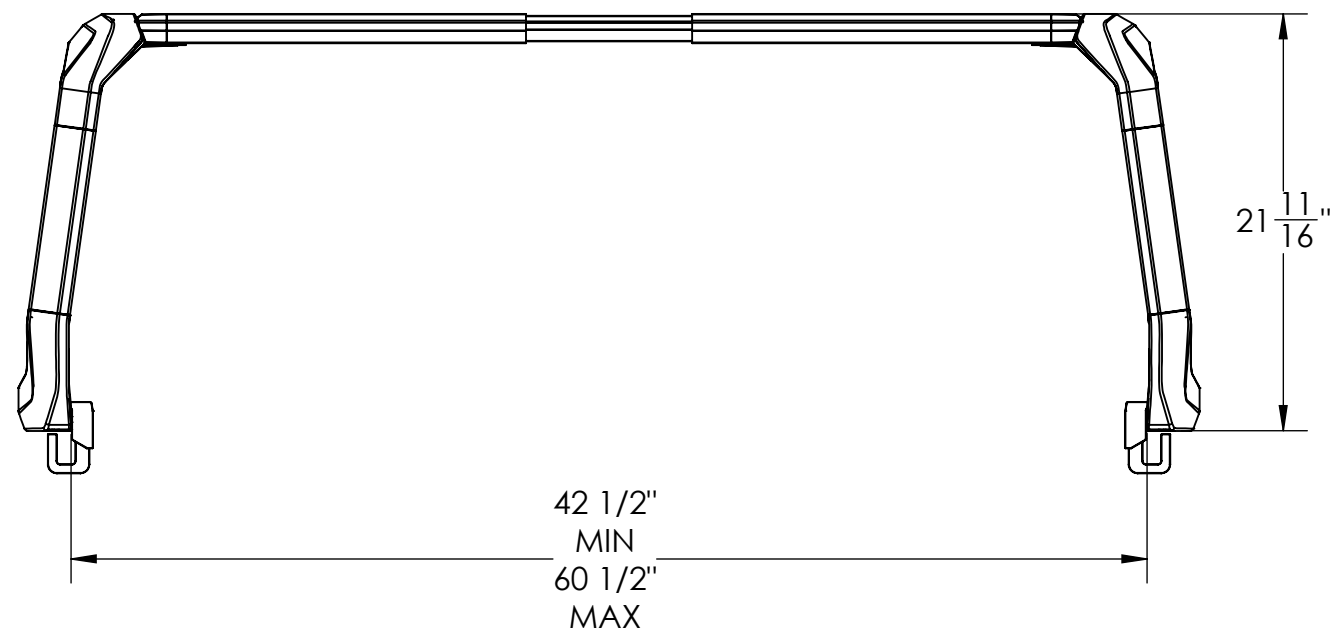
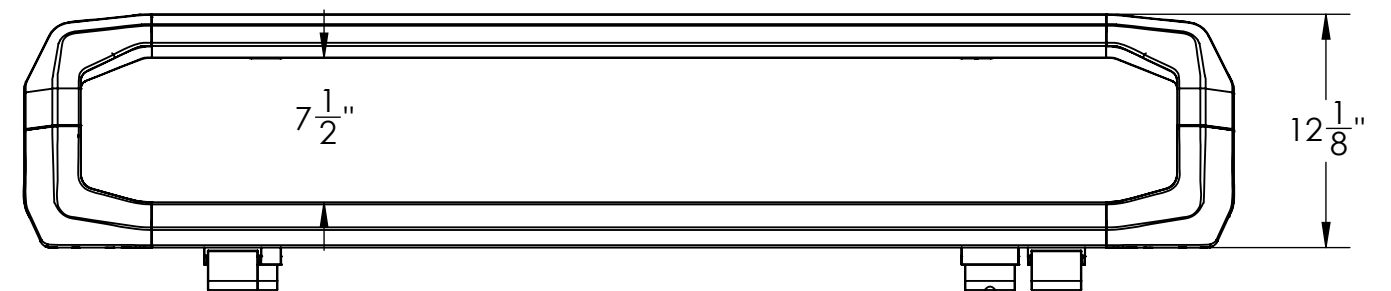
Mid Height Configuration

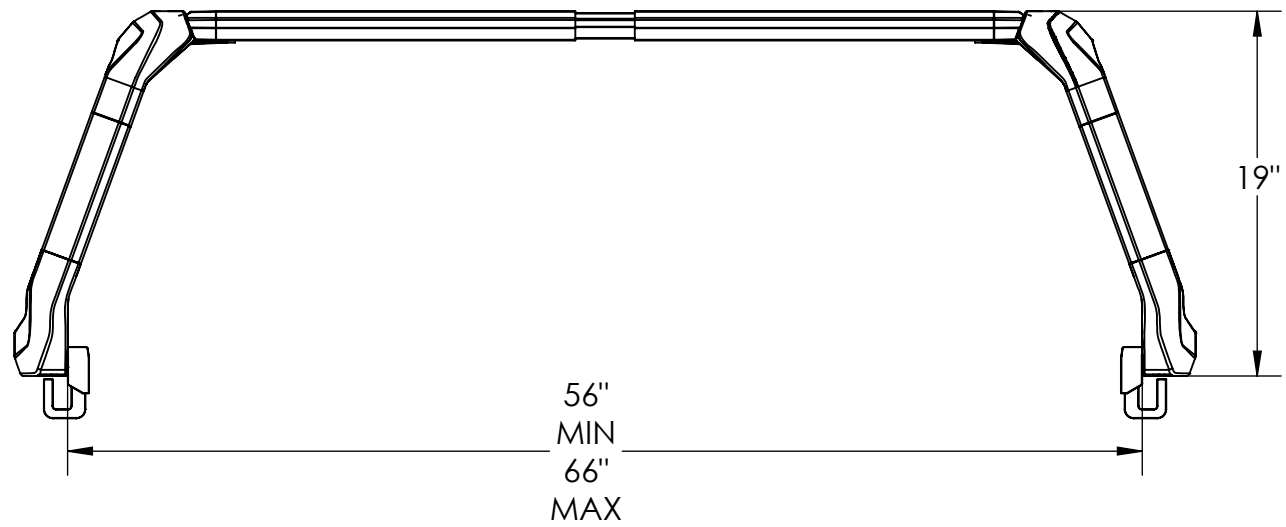
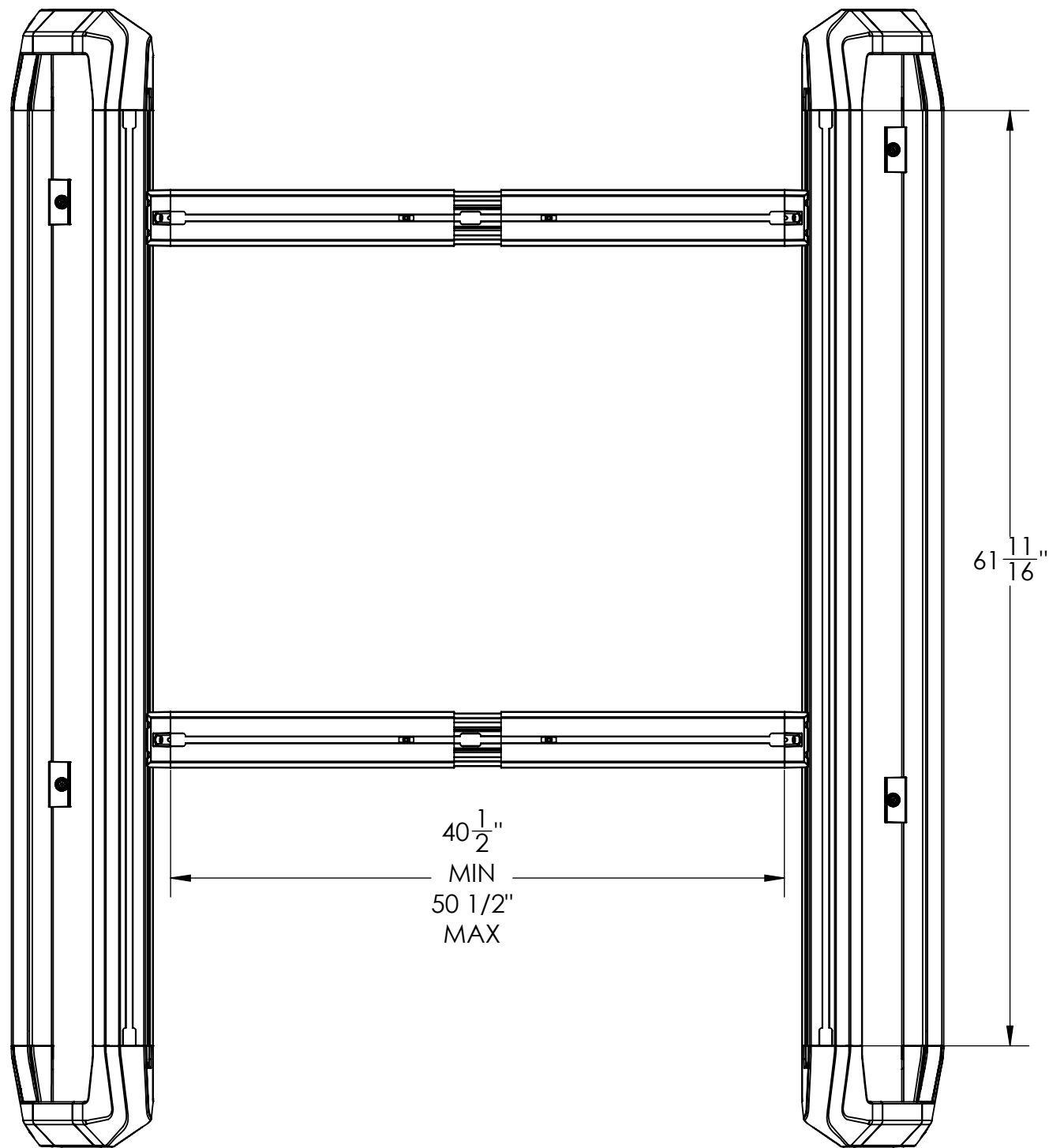




IBEXA2
GLADIATOR

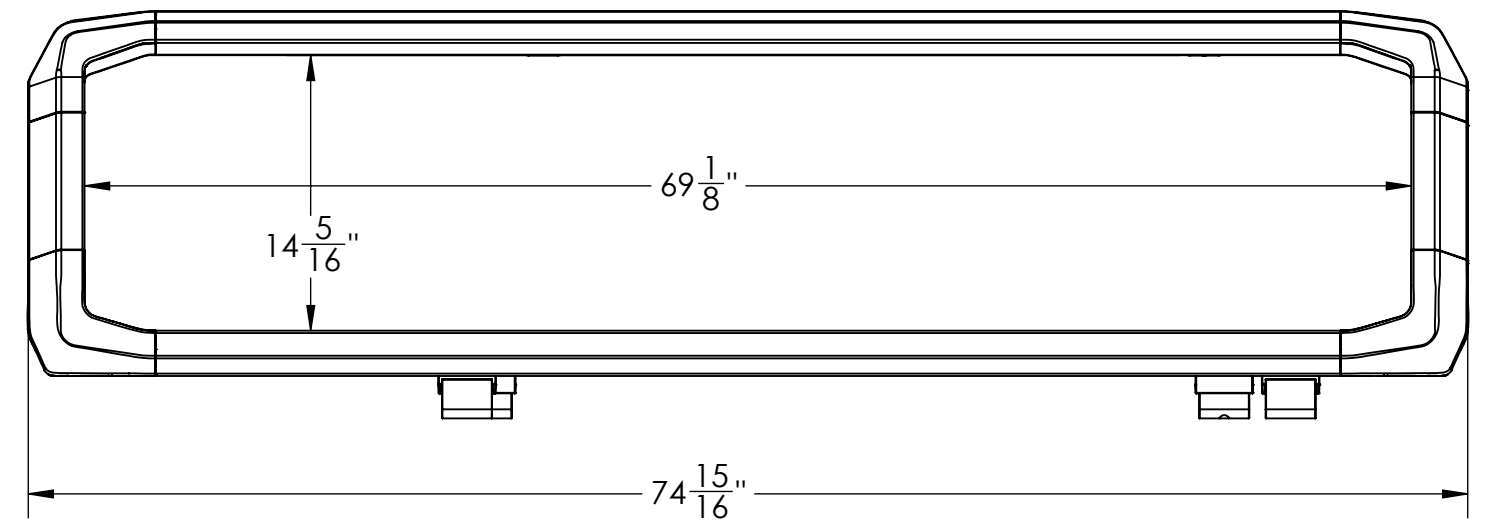
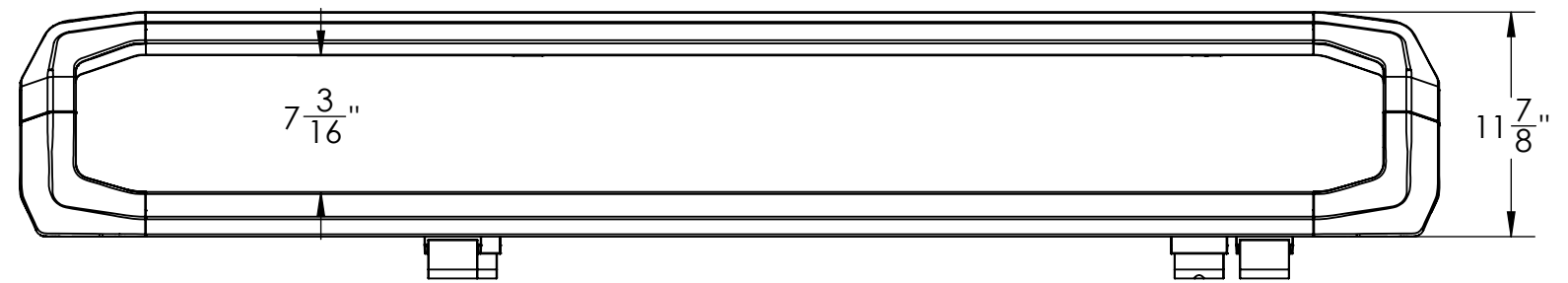
Mid Height Configuration

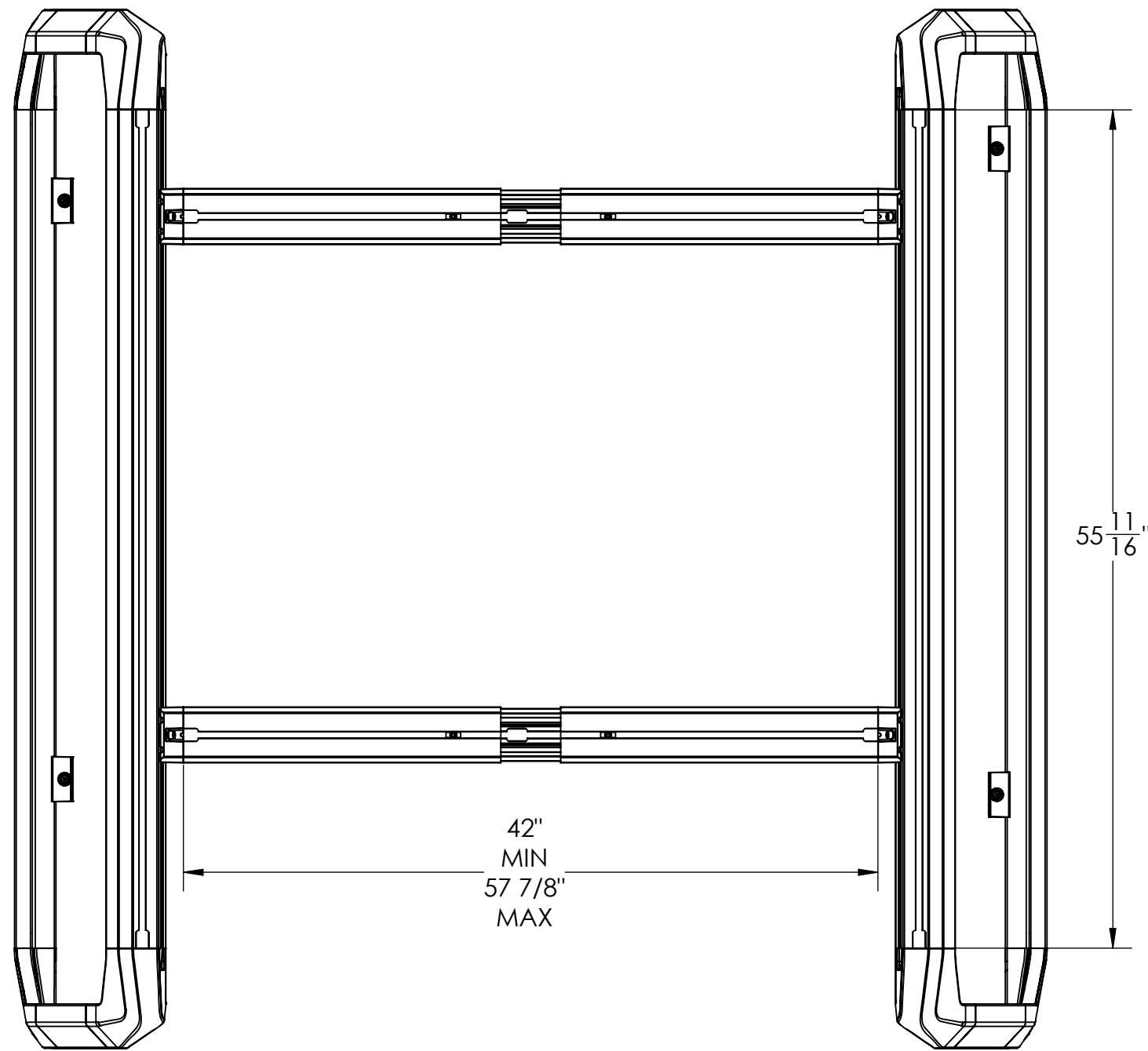




IBEXC1
MID SIZE TRUCK - LONG BED

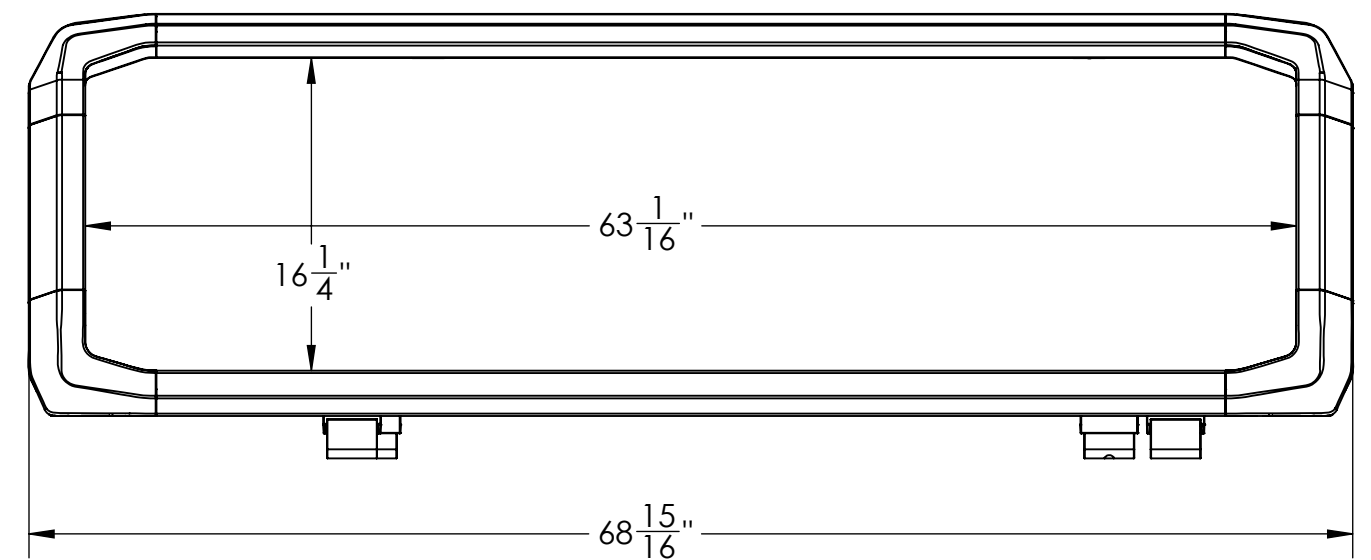
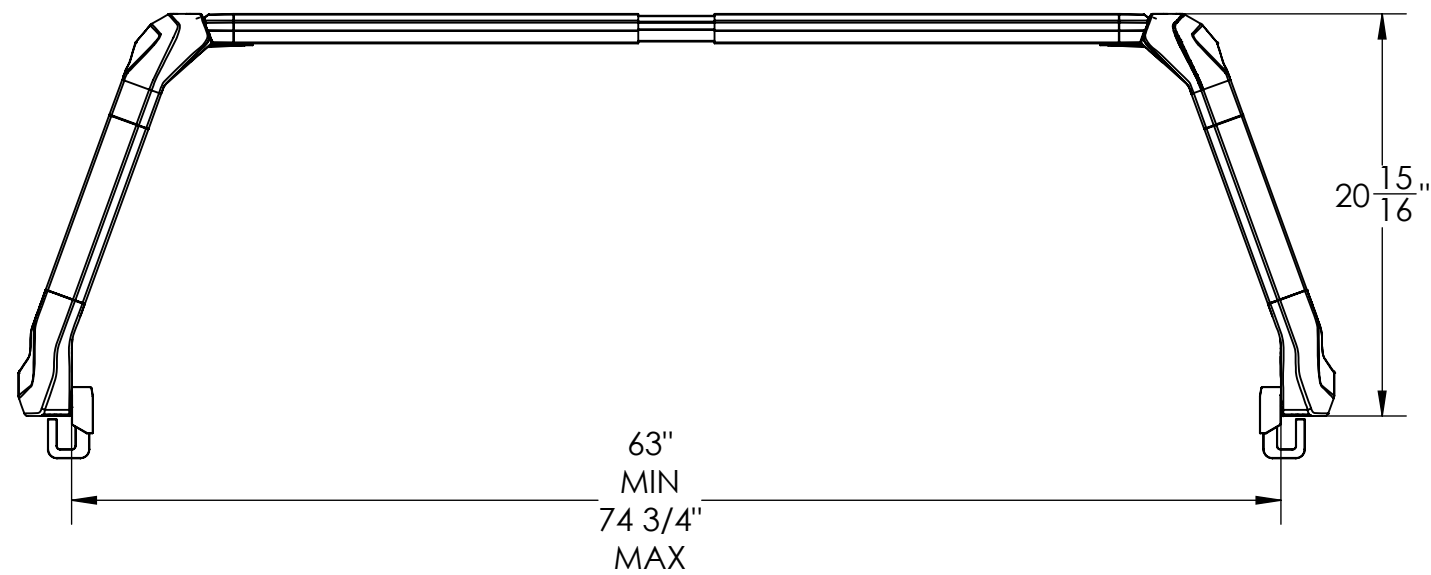
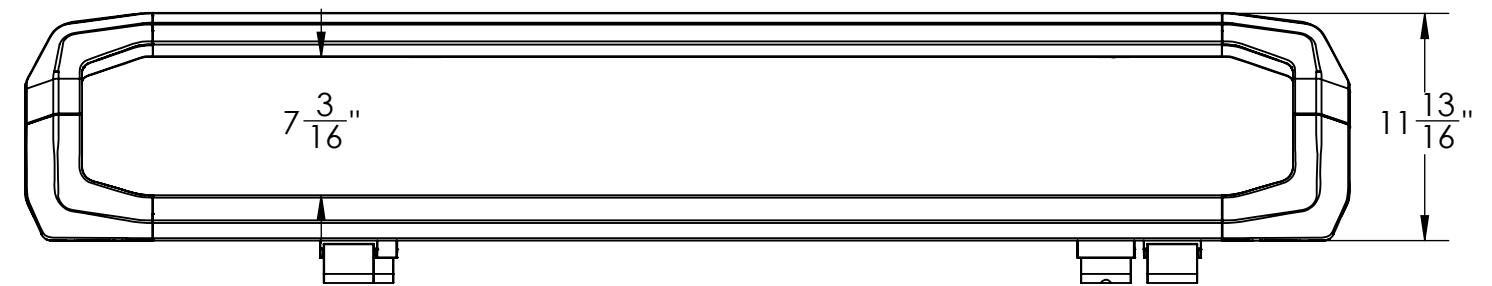
Mid Height Configuration

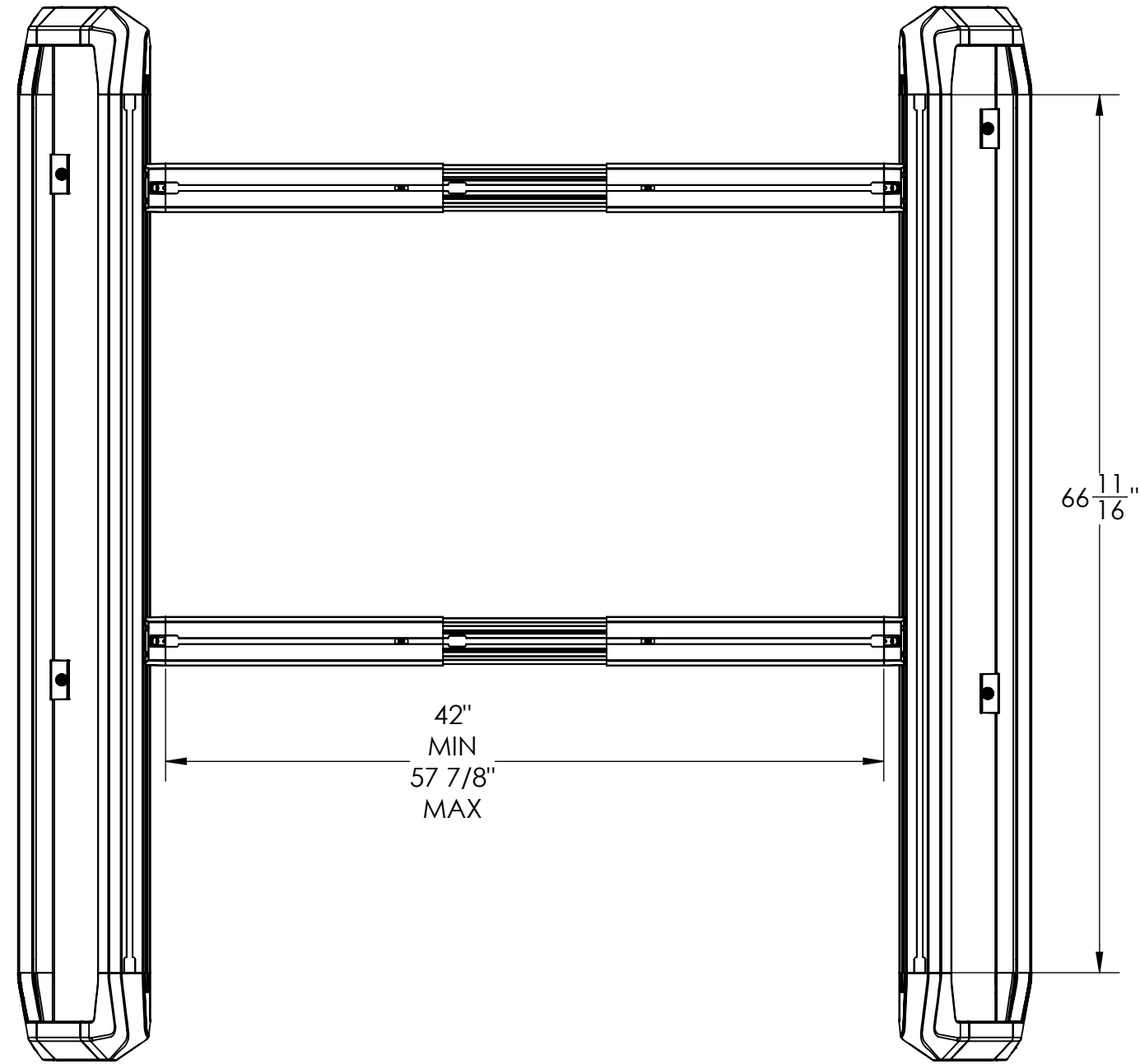




IBEXB2
FULL SIZE TRUCK - SHORT BED

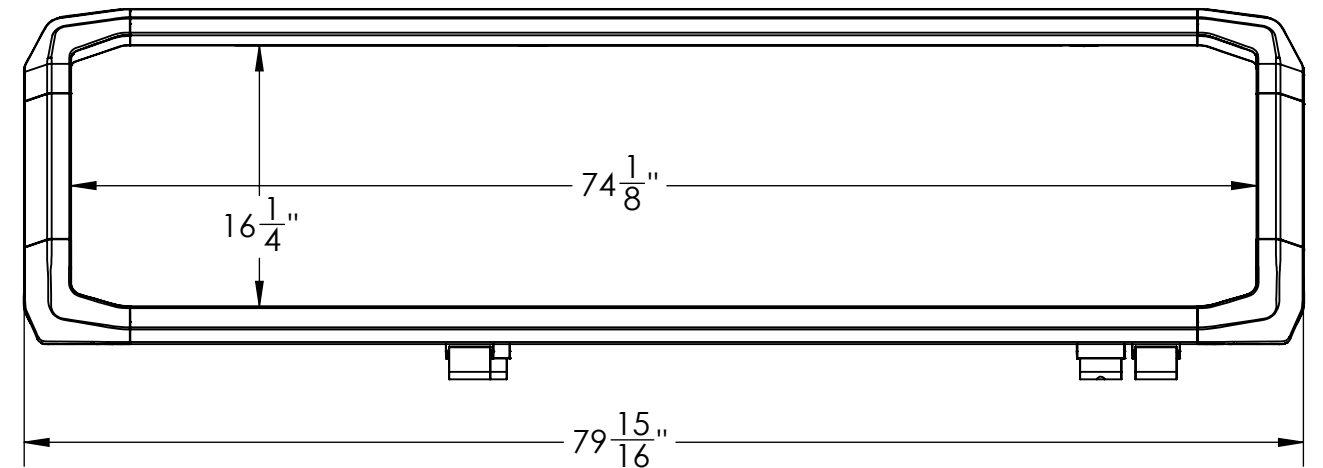
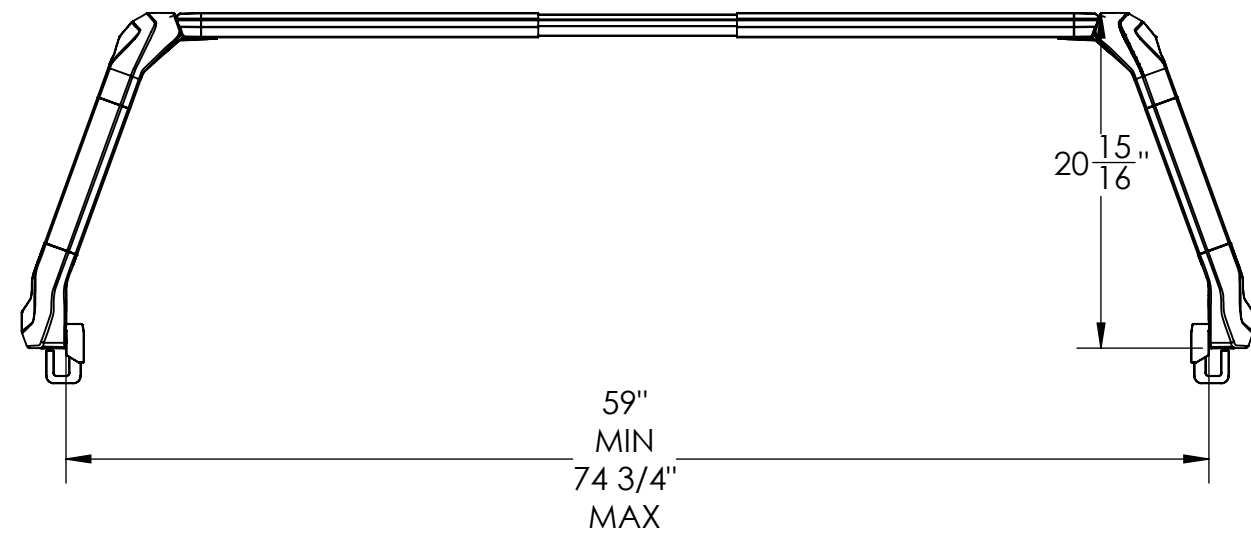
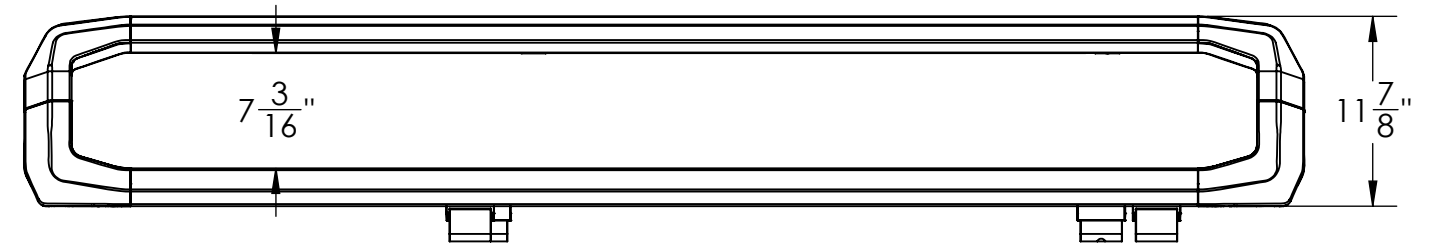
Mid Height Configuration

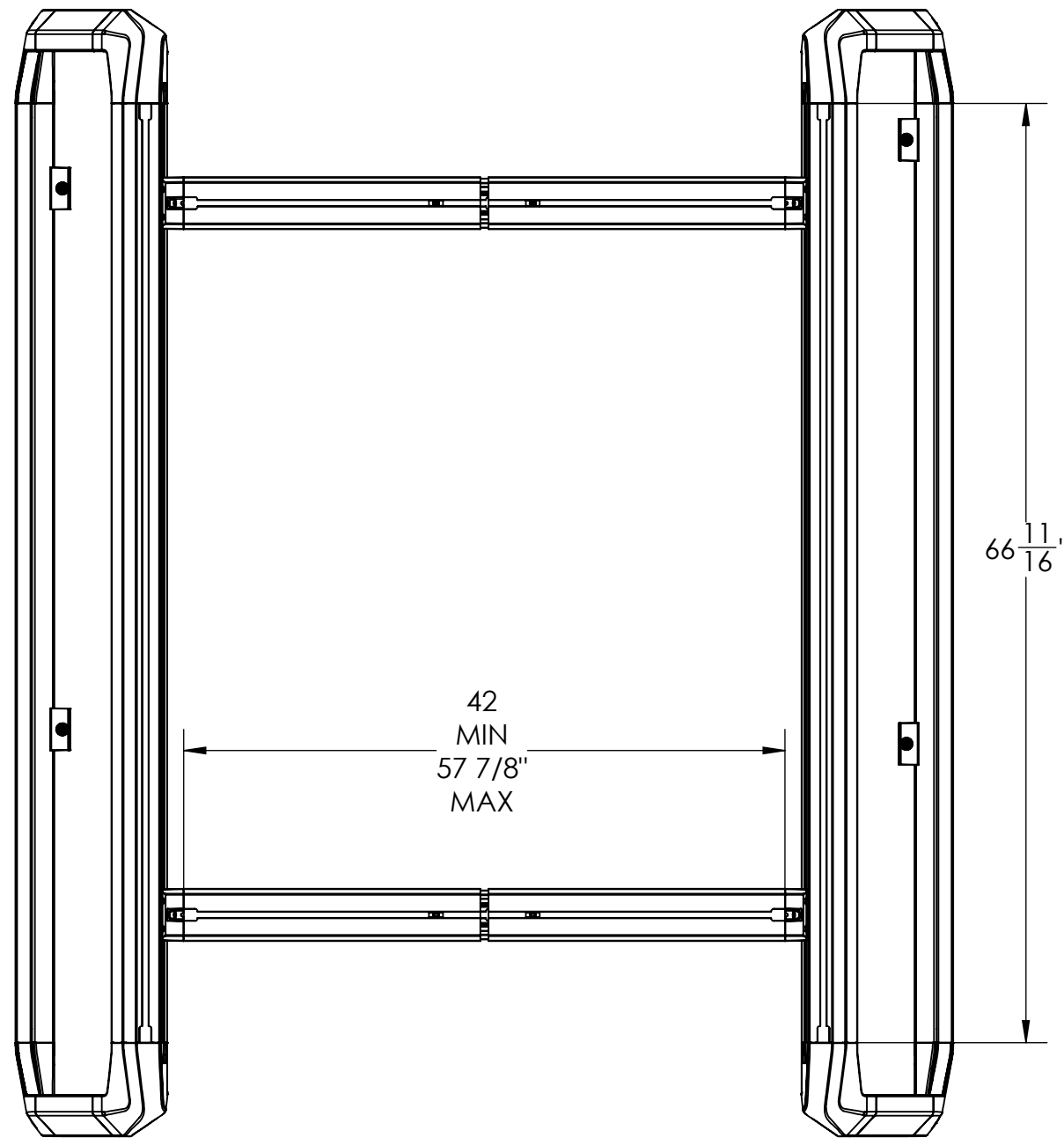




IBEXD2
FULL SIZE TRUCK - MEDIUM BED

Mid Height Configuration





IBEXD3
HEAVY DUTY TRUCK - SHORT BED

Mid Height Configuration

